

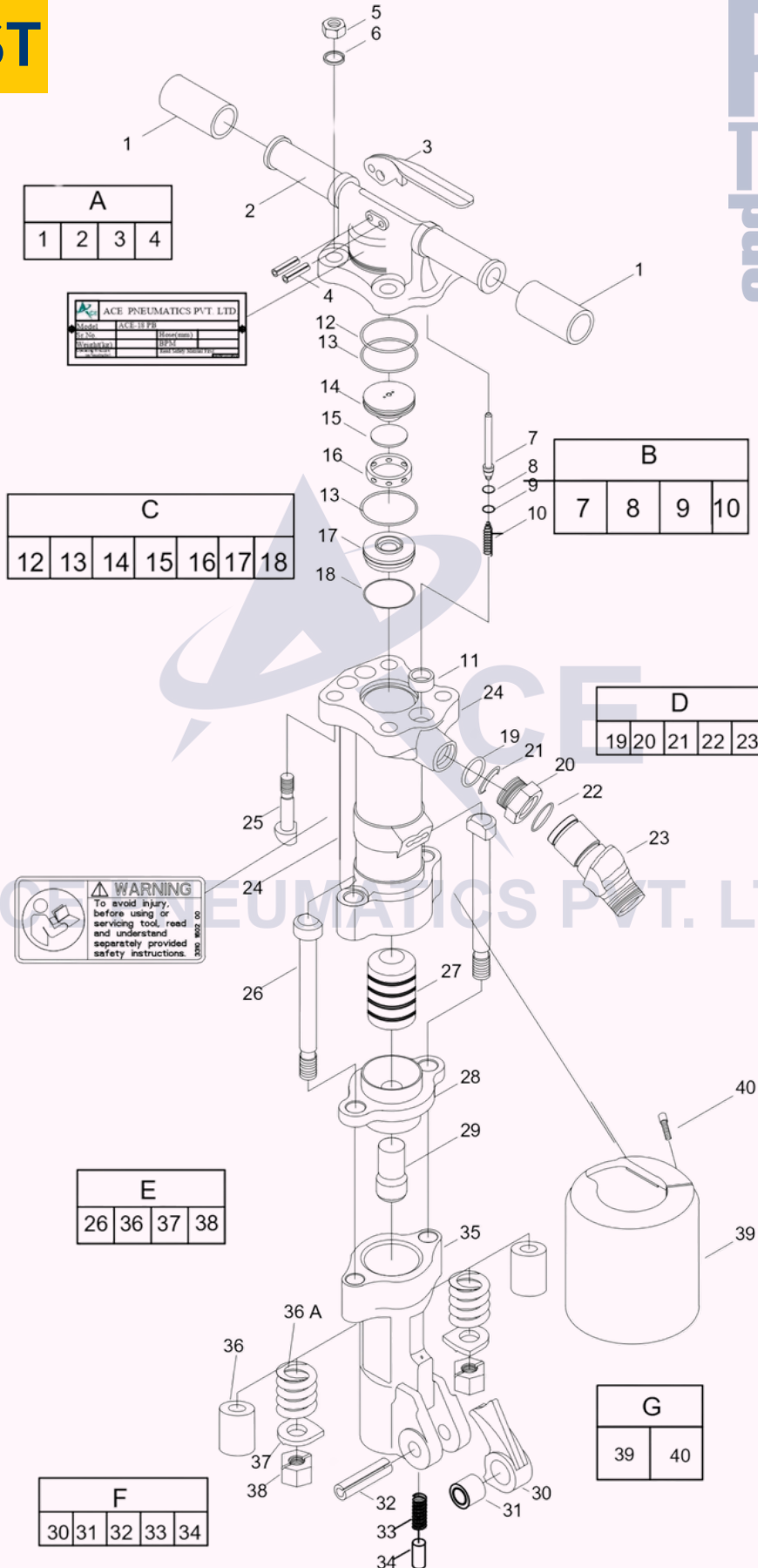


ACE PNEUMATICS PVT. LTD.

ACE PB 1210 PAVING BREAKER

POWER TECHNOLOGY TRUST

PARTS LIST



WARNING
 To avoid injury, before using or servicing tool, read and understand separately provided safety instructions.

ACE PB 1210 PAVING BREAKER

| SR. No. | PART NO. | OEM PART NO. | DESCRIPTION | QTY/TOOL |
|--------------|----------|--------------|------------------------------|----------|
| 1 | 211020 | F816345 | Back Head Grip | 2 |
| 2 | 181015 | 3303 0050 00 | Back Head | 1 |
| 3 | 211025 | F814725 | Throttle Lever | 1 |
| 4 | 211030 | R133433 | Throttle Lever Pin | 2 |
| 5 | 181030 | 3303 0050 30 | Nut Back Head Bolt | 4 |
| 6 | 181035 | - | Washer Back Head Bolt | 4 |
| 7 | 182010 | - | Throttle Valve | 1 |
| 8 | 212015 | R098368 | Throttle Valve Seat | 1 |
| 9 | 212020 | R098369 | Throttle Valve Retainer Ring | 1 |
| 10 | 212025 | R005717 | Throttle Valve Spring | 1 |
| 11 | 182030 | R110215 | Seal-Cylinder | 1 |
| 12 | 183010 | 3303 0050 31 | Slack Ring | 1 |
| 13 | 183015 | C102642 | O-Ring - Upper Valve Lid | 2 |
| 14 | 183020 | R138096 | Upper Valve Lid | 1 |
| 15 | 183025 | R138094 | Valve | 1 |
| 16 | 183030 | R138095 | Valve Case | 1 |
| 17 | 183035 | 3303 0050 24 | Lower Valve Case Lid | 1 |
| 18 | 183040 | H0310447 | O-Ring | 1 |
| 19 | 187010 | R056605 | O Ring (Swivel Nut) | 1 |
| 20 | 187015 | 3303 0050 13 | Nut-Air Inlet Swivel | 1 |
| 21 | 187020 | 3310 1059 00 | Lock Washer-Swivel | 1 |
| 22 | 187025 | 0663 2126 00 | O Ring (Air Inlet Swivel) | 1 |
| 23 | 187030 | 3303 0050 12 | Air Inlet Swivel | 1 |
| 24 | 183070 | 3303 0050 29 | Cylinder | 1 |
| 25 | 183075 | | Allen Back Head Bolt | 4 |
| 25A | 183075A | | forging Back Head Bolt | 4 |
| 26 | 184010 | R110217 | Front Head Bolt | 2 |
| 27 | 184015 | R110212 | Piston | 1 |
| 28 | 184020 | R110203 | Anvil Block Bushing | 1 |
| 29 | 184025 | R085427 | Anvil Block | 1 |
| 30 | 185010 | R092493 | Latch Retainer | 1 |
| 31 | 185015 | R048540 | Latch Bushing | 1 |
| 32 | 185020 | 0108 1103 04 | Latch Pin 16 x 55 | 2 |
| 32A | 185020A | 0108 1395 00 | Latch Pin 10 x 55 | |
| 33 | 295020 | R086982 | Spring - Plunger | 1 |
| 34 | 185030 | R092497 | Plunger-Latch | 1 |
| 35 | 185035 | F814719 | Front Head 1" 1/8 | 1 |
| 35A | 185040 | | Front Head 1" 1/4 | 1 |
| 36 | 185045 | | Front Head Bolt PU Bush | 2 |
| 36A | 185046 | R093698 | Front Head Bolt Spring | 2 |
| 37 | 185050 | R041073 | Lock Washer Front Head Bolt | 2 |
| 38 | 185055 | R110218 | Nut-Front Head Bolt | 2 |
| 39 | 186010 | | Muffler (Optional) | 1 |
| 40 | 186015 | | Screw (allen Cap) with nut | 4 |
| | | | | |
| A (1-4) | 181000 | - | Backhead Complete | |
| B (7-10) | 182000 | R092894 | Throttle Valve Complete | |
| C (12-18) | 183000 | - | Valve Case Complete | |
| D (19-23) | 187000 | - | Swivel Assembly | |
| E (26,36-38) | 184000 | 3303 0050 44 | Front Head Bolt Complete | |
| F (30-34) | 185000 | 3303 0050 43 | Latch Complete | |
| G (39-40) | 186000 | - | Muffler Complete | |

ACE RB



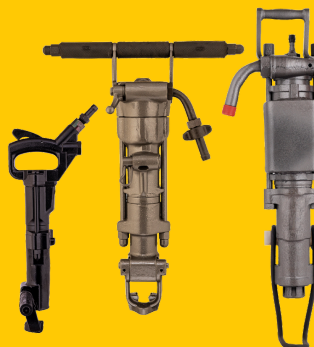
ACE PH 05



ACE M 37B



ACE 4130



ACE TPB 60

