

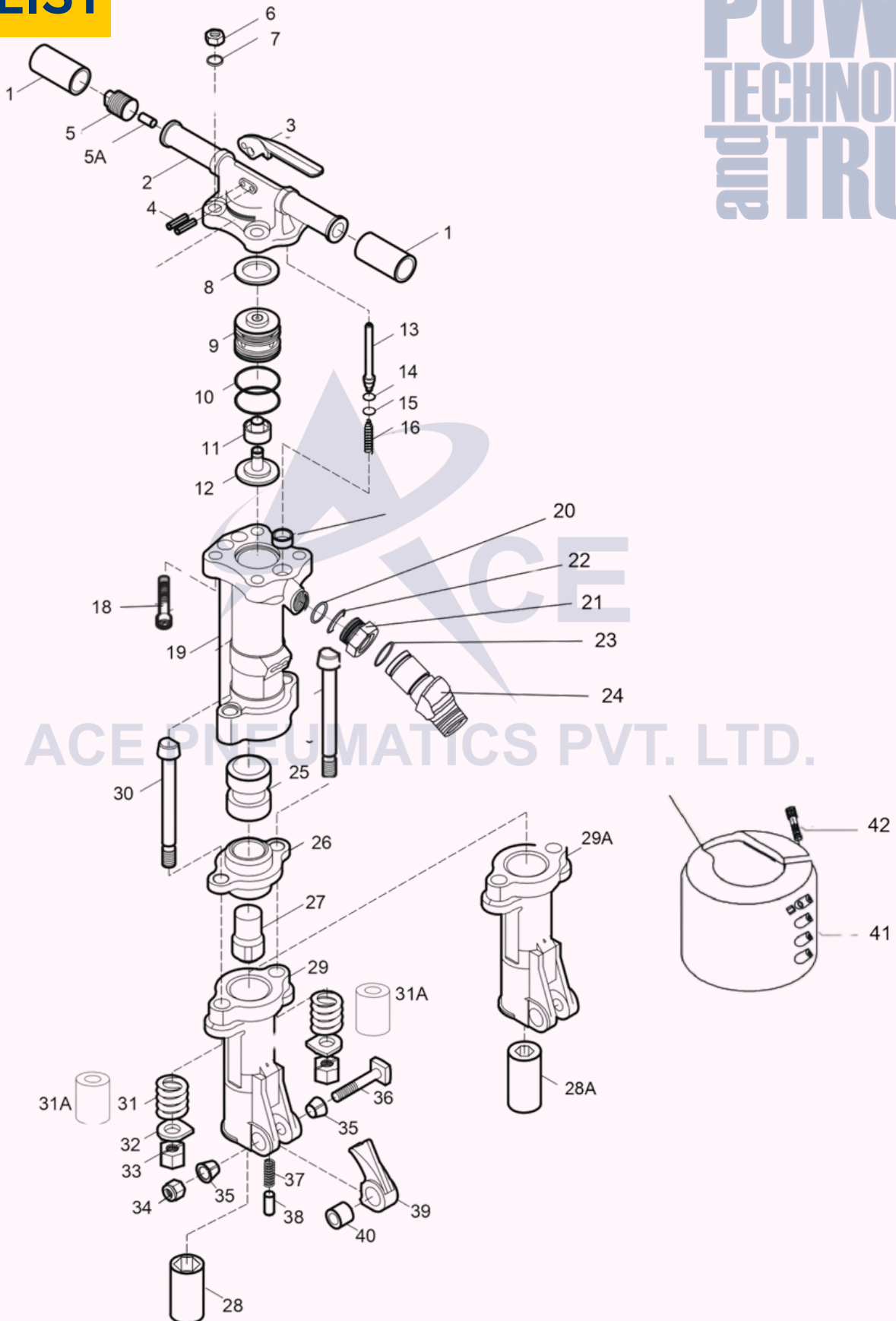


ACE PNEUMATICS PVT. LTD.

ACE PB 1240 PAVING BREAKER

POWER TECHNOLOGY DUST TRUST

PARTS LIST



ACE PNEUMATICS PVT. LTD.

*Note :-All Manufacturer Name ,Notes and description are for reference only; listing does not imply their products . (Rev 05 Feb 2025)

ACE PB 1240 PAVING BREAKER

SR. No.	PART NO.	OEM PART NO.	DESCRIPTION	QTY/TOOL
1	211020	F816345	Back head grip	2
2	401015	-	Back Head	1
3	401020	F814725	Throttle Lever	1
4	211030	R133433	Throttle Lever Pin	2
5	211035	R075031	Oil Plug	1
5A	211035A		Oil Plug Regulator	1
6	401035	R003069	Back Head Bolt Nut	4
7	401040	R000550	Washer - Back Head Bolt	4
8	402010	R085259	Slack Ring	1
9	402015	R092904	Valve Case	1
10	402020	P083094	"O" Ring Valve Case	2
11	402025	R122975	Valve	1
12	402030	R122976	Valve Guide	1
13	182010	-	Throttle Valve	1
14	212015	R098368	Throttle Valve Seat	1
15	212020	R098369	Throttle Valve Retainer Ring	1
16	212025	R005717	Throttle Valve Spring	1
17	293030	R047965	Seal Cylinder	1
18	403035	R092896	Back Head Bolt	4
19	403040	-	Cylinder	1
20	187010	R110317	"O" Ring (Swivel Nut)	1
21	187015	R000530	Nut-Air Inlet Swivel	1
22	187020	3310 1059 00	Lock Washer Swivel	1
23	187025	P103521	"O" Ring-AIR Inlet Swivel	1
24	187030	R085269	Air Inlet Swivel	1
25	403070	R000127	Piston	1
26	403075	R092907	Anvil Block Bushing	1
27	403080	R096123	Anvil Block	1
28	404010	R090122	Bushing-Front Head 1 1/8"	1
28A	404015	R040635	Bushing-Front Head 1 1/4"	1
29	404020	R092917	Front Head 1 1/8"	1
29A	404025	R092918	Front Head 1 1/4"	1
30	405010	F037790	Front Head Bolt	2
31	405015	R092915	Front Head Bolt Spring	2
31A	405016	-	Front Head Bolt PU Bush	2
32	405020	R096059	Lock Washer Front Head Bolt	2
33	405025	F037789	Nut Front Head Bolt	2
34	406010	P008999	Lock Nut	1
35	406015	R076562	Taper Bushing	2
36	406020	R076853	Latch Bolt	1
37	406025	R092911	Spring Plunger	1
38	406030	R092910	Plunger Latch	1
39	406035	R092909	Latch Retainer	1
40	406040	R050894	Latch Bushing	1
41	407010	-	Muffler (Optional)	1
42	407015	-	Screw (Allen Cap) with nut	4
43	407020	-	Valve Case Plug	1

A (1-5)	401000	F815126	Back Head Complete	
B (9-12,43)	402000	R122977	Valve Case ,Complete	
C (13-16)	403000	R092894	Throttle Valve Assy	
D (20-24)	187000		Swivel Complete	
E (28-29)	404000	-	Front Head Complete	
F (30-33)	405000	3303 0050 57	Front Head Bolt Complete	
G (34-40)	406000	3303 0050 55	Latch Complete	
H (41-42)	407000	-	Muffler Complete	
I (28A-29A)	407001	-	Front Head Complete	

Rivet Buster



Pick Hammer



Jackleg Drill



Sinker Drill



Paving Breaker

